

Safety

- Do not cover the ground contact.
- Do not place any material over the lens or LED diode/chip.
- Do not insert objects into the luminaire.
- Do not clean using any solvent based abrasive or aggressive product.
- Do not pull any cables connected to the product.
- Do not direct the luminaire into a persons eyes, as this unit may have an intense light output, which if incorrectly used may cause eye damage.
- Light engines/LEDs and other light sources may heat up, please take care when handling the products.
- The manufacturer will not be deemed liable or held responsible for any damages caused by faults or manufacturing defects that may be present in any of its products or the misuse or incorrect installation of this device. Please refer to our trouble shooting guide for further information.
- The manufacturer will not be held liable for any death(s) or injuries caused by misuse or poor installation or any unreported faults of this product version or versions thereof.
- LEDs are sensitive to electrostatic discharge. Do not touch the surface of the LED module.
- Do not connect to a temporary electricity supply, this may damage the electronics.
- Light fittings with an integrated emergency option are with a separate installation and wiring leaflet. Please refer to this manual for further details. If the manual is unavailable please contact an ALL LED representative for assistance.

Returns & Faulty Items

- If any problem is encountered during or after installation, please call ALL LED technical department to get the problem resolved ASAP.
- Please do not just return the item to the outlet you purchased it from, as you are only entitled to a replacement or refund after the unit has undergone testing and the unit has been confirmed as having a manufacturing defect/fault. Your statutory rights are not affected.
- The manufacturer will not be deemed liable or held responsible for any damages caused by faults or manufacturing defects that may be present in any of its products or the misuse or incorrect installation of this device. Please refer to our trouble shooting guide for further information.
- All goods are supplied under the terms and conditions of ALL LED LTD, a copy of which may be obtained upon written request.



INSTALLATION GUIDE & USER MANUAL AWLG030 RANGE



ENSURE POWER SUPPLY IS OFF WHEN HANDLING ANY ELECTRICAL EQUIPMENT.

- This product must be installed by a qualified electrical installer.
- All electrical work should be completed in accordance with the latest IET regulations, or any other relevant rules, regulations or laws of the country in which it is being installed.
- This item is suitable for humid environments when installed correctly and carries an ingress protection rating of IP20.
- Ensure the item is isolated from any form of insulation and is adequately ventilated to prevent premature decay of the LED package.
- Ensure power supply is isolated prior to installation, maintenance or performing any other form of electrical work.
- The company **MUST** be contacted immediately for advice or swift resolution of any matters concerning any of ALL LED's products.

Technical Specifications

Product Code	AWLG030BK/30	AWLG030BK/40	AWLG030WH/30	AWLG030WH/40
Useful Luminous Flux (LM)	140LM	170LM	140LM	170LM
CCT (Kelvin)	3000K	4000K	3000K	4000K
Beam Angle (°)	36°	36°	36°	36°
SDCM	<6	<6	<6	<6
CRI	>80	>80	>80	>80
Peak Intensity	320cd	407cd	320cd	407cd
Operating Voltage (V)	100-240VAC	100-240VAC	100-240VAC	100-240VAC
Operating Current (A)	0.1A	0.1A	0.1A	0.1A
Output Voltage DC (V)	2.87V	2.87V	2.87V	2.87V
Output Current (A max)	0.7A	0.7A	0.7A	0.7A
Max Output Power (W)	2W	2W	2W	2W
Class	I	I	I	I
Body Material	Aluminium	Aluminium	Aluminium	Aluminium
Frame Colour	Carbon Black	Carbon Black	Polar White	Polar White
Switching Cycles	<100,000	<100,000	<100,000	<100,000
Ingress Protection	IP20	IP20	IP20	IP20
Ambient Operating Temperature (°C)	-20°C ~ +50°C	-20°C ~ +50°C	-20°C ~ +50°C	-20°C ~ +50°C
Input Frequency (Hz)	50-60Hz	50-60Hz	50-60Hz	50-60Hz
Guarantee	3 years	3 years	3 years	3 years
Life Time (L70 B50)	50,000H	50,000H	50,000H	50,000H



ALL LED LTD
42 Sedgwick Road,
Luton, LU4 9DT

www.allledgroup.com
sales@allledgroup.com
Tel: +44 (0)208 841 9000

Environmental Protection
Waste electrical products should
not be disposed of with household
waste. Please recycle where
facilities exist. Check with your
Local Authority or retailer for
recycling advice

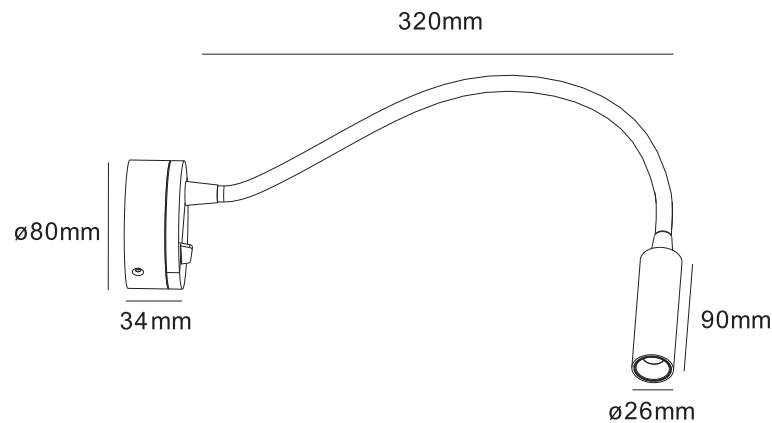
The manufacturer will not be deemed liable or held responsible for any damages
caused by faults or manufacturing defects that may be present in any of its products
or the misuse or incorrect installation of this device
Your statutory rights are not affected.



Installation

1. We recommend checking the installation with the products for suitability prior to installation.
2. Turn off power supply at source to avoid any risk of electric shock.
3. Remove the two small threaded nuts on either side of the luminaire using the Allen key provided.
4. Affix the product using a suitable method and according to the material/surface you intend to mount the product onto.
5. Wire the product into the wall in accordance with the most current/relevant wiring and/or electrical installations regulations.
6. Place the item carefully back onto its rear bracket, ensure all wires are clear of any seals and will not get caught in between the luminaire and the bracket. Tighten the threaded nuts that were removed in step 3 to secure the luminaire on to the bracket.
7. Double check the threaded nuts are adequately tightened as the seal is pressure sensitive. Take care not to overtighten. Turn the power back on and test the luminaire is functioning as it should.

Dimensions



Troubleshooting Guide

PROBLEM	CAUSE(S)	SOLUTION(S)
No Light Coming From LEDs	No power to drive components.	A qualified installer/electrician should check the Primary voltage side of the product to check the input voltage.
	Loose connection on primary side.	Ensure continuous and correct connection between terminals.
	No output from the driver.	Driver may be faulty and require replacement. Please order a replacement via your local outlet.
	Overvoltage may have caused damage to the sensitive LED components.	These cases are rare and the item may need replacement and/or investigation as to the cause of failure.
LEDs Flashing	LED driver may be connected to a dimmer switch	Please remove the dimmer switch. Use of this product on a dimmer will void the warranty. This product is supplied non-dimmable as standard.
	Loose connection on primary side.	Ensure continuous and correct connection between the terminals.

Notes

- Should you encounter any difficulties, please refer to the troubleshooting guide on the opposite page.
- Should you encounter any further difficulties with this product, please contact the ALL LED technical team.
- Should this product cease working, a replacement drive unit will be dispatched to try to solve the issue.
- Do not hold this product by the trailing lead, it may damage the integrity of the product.

AWLG030BK/30, AWLG030WH/30
These products contains a light source of energy efficiency class: G

AWLG030BK/40, AWLG030WH/40
These products contains a light source of energy efficiency class: F

The light source contained in these luminaires shall only be replaced by the manufacturer or his service agent or a similar qualified person.



ATTENTION

IF ANY PROBLEMS PERSIST, PLEASE CALL THE ALL LED TECHNICAL DEPARTMENT FOR FURTHER ASSISTANCE.